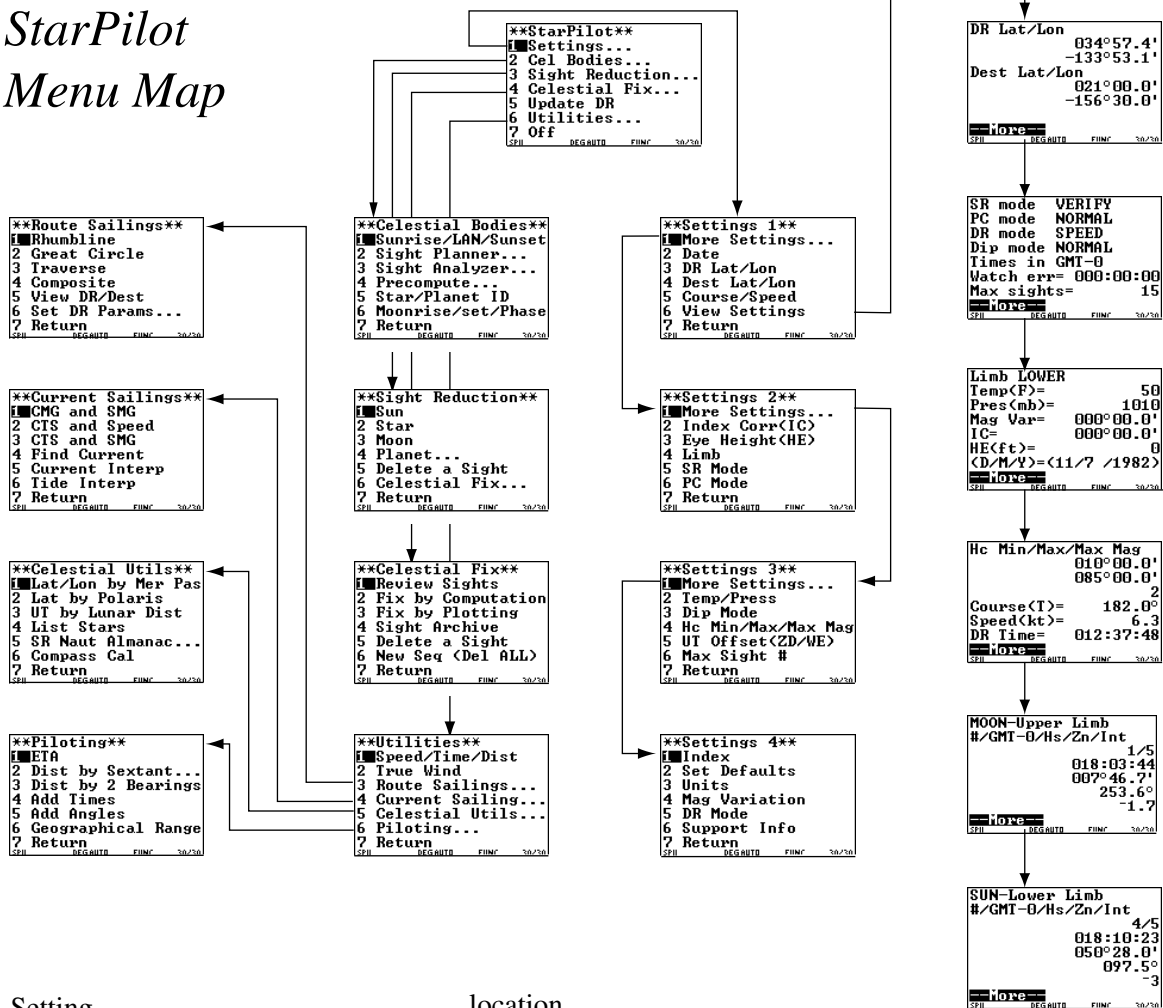


# StarPilot Menu Map



Setting .....	location
Course/Speed .....	[S1] [5]
Date .....	[S1] [2]
Defaults .....	[S4] [2]
Dest Lat/Lon .....	[S1] [4]
Dip Mode .....	[S3] [3]
DR Lat/Lon .....	[S1] [3]
DR Mode .....	[S4] [5]
Eye Height (HE) .....	[S2] [3]
Hc min/max/#cutoff .....	[S3] [4]
Height of Eye (HE) .....	[S2] [3]
Index Corr (IC) .....	[S2] [2]
Limb .....	[S2] [4]
Mag Variation .....	[S4] [4]

Max sight # .....	[S3] [6]
PC Mode .....	[S2] [6]
Set Defaults .....	[S4] [2]
Speed/Course .....	[S1] [5]
SR Mode .....	[S2] [5]
Support Info .....	[S4] [6]
Temp/Press .....	[S3] [2]
Units .....	[S4] [3]
UT offset (ZD/WE) .....	[S3] [5]
View Settings .....	[S1] [6]
Watch Error.....	[S3] [5]
Zone Description .....	[S3] [5]
Setting .....	location